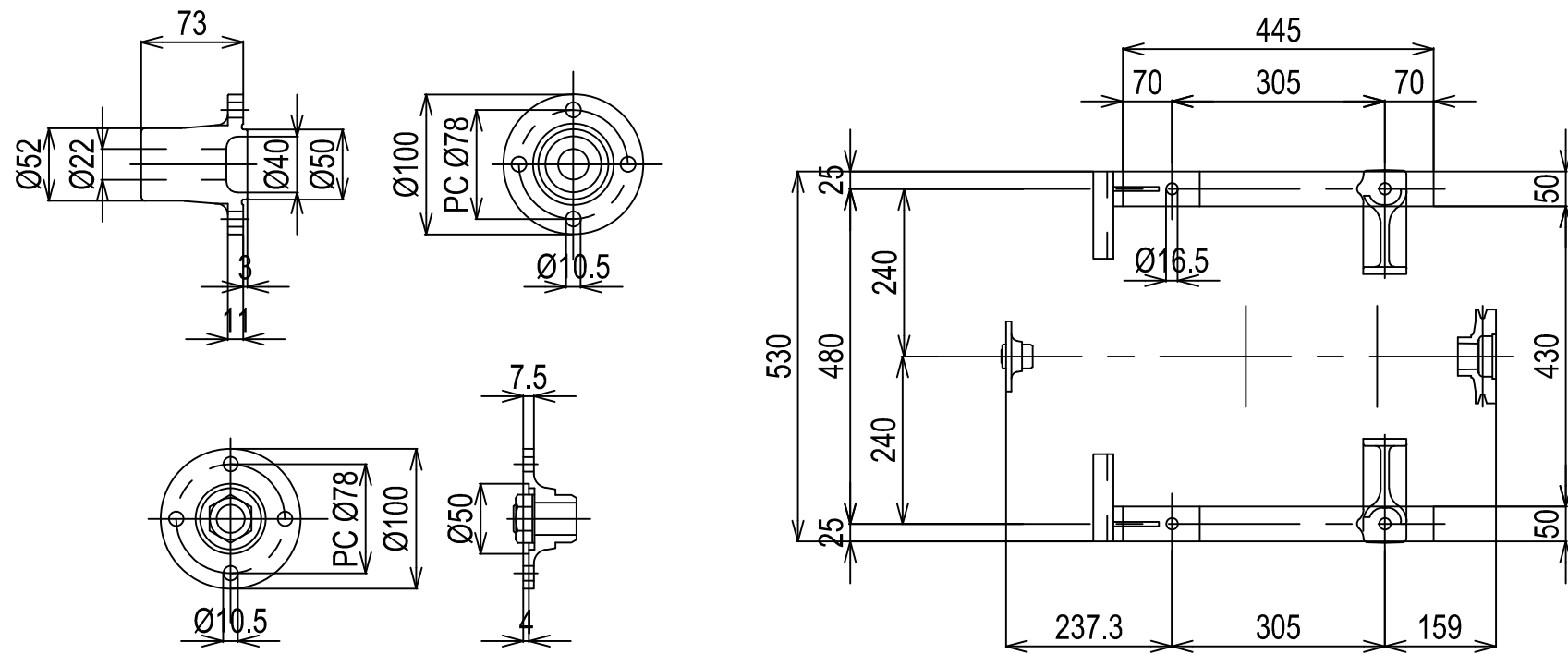
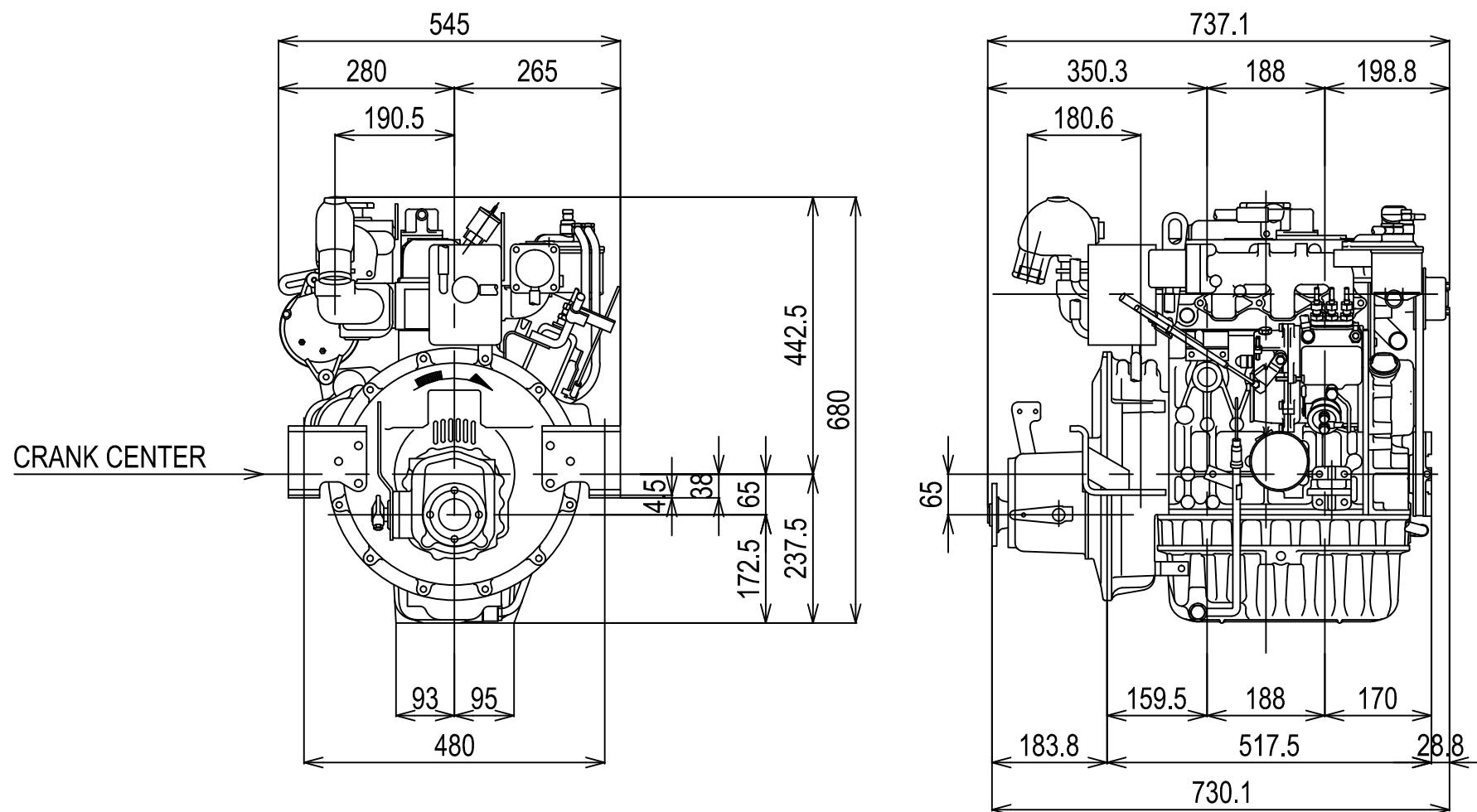
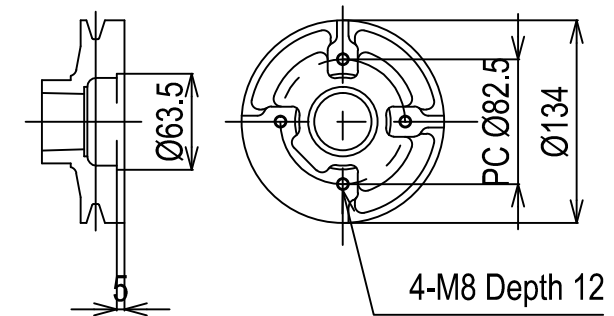


DETAIL OF COUPLING (1:5)



DETAIL OF FRONT PTO (1:5)



Series: JH	Engine: 3JH25A-KxKM35P1	Release: R2011-1
Scale: 1:10 (1:5)	Date: 01-02-2011	Dimensions: mm

